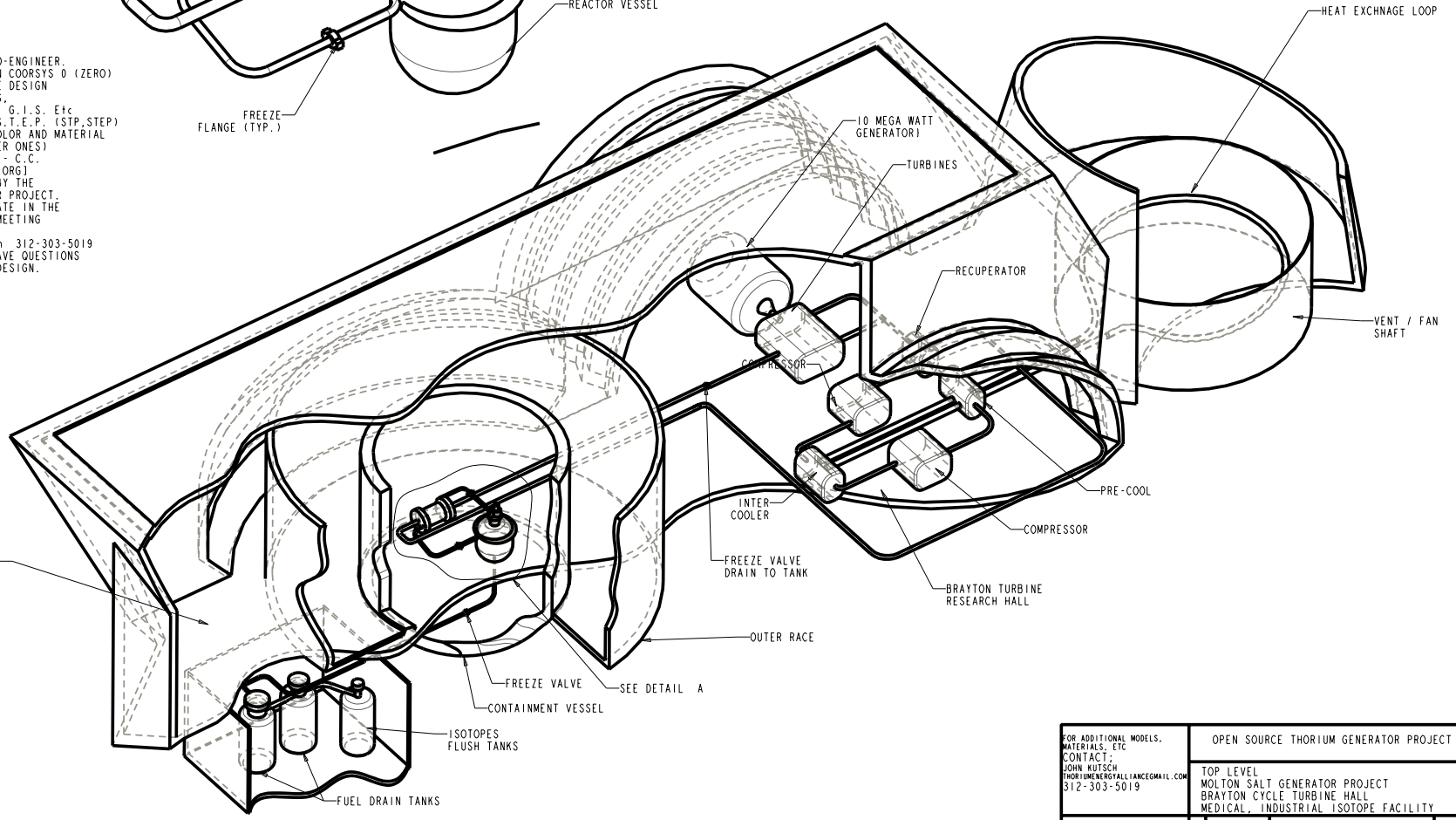


NOTE:
THE MASTER WAS MODELED IN PRO-ENGINEER.
ALL ASSEMBLIES ARE LOCATED ON COORSYS 0 (ZERO)
ANYONE MAY EXPAND ON THE BASE DESIGN
ANYONE MAY CONTRIBUTE MODULES,
CONTROLS, DETAIL, COMPONENTS, G.I.S. Etc
THE PREFERRED FILE FORMAT IS S.T.E.P. (STEP,STEP)
PLEASE REFER TO AND FOLLOW COLOR AND MATERIAL
STANDARDS (OR OFFER NEW BETTER ONES)
THIS IS A 3D WIKI, COPY LEFT - C.C.
(PLEASE SEE: CREATIVECOMMONS.ORG)
DISTRIBUTIONS WILL BE REVED BY THE
OPEN SOURCE THORIUM GENERATOR PROJECT.
PLEASE LOOK FOR and PARTICIPATE IN THE
UNCONFERENCE ORGANIZATION & MEETING
PLEASE CORRESPOND To:
ThoriumEnergyAlliance@gmail.com 312-303-5019
FOR PROJECT AREAS THAT YOU HAVE QUESTIONS
ABOUT OR WOULD LIKE TO LEAD DESIGN.



FOR ADDITIONAL MODELS, MATERIALS, ETC CONTACT: JOHN KUTSCH THORIUMENERGYALLIANCE@GMAIL.COM 312-303-5019	OPEN SOURCE THORIUM GENERATOR PROJECT	
	TOP LEVEL MOLTON SALT GENERATOR PROJECT BRAYTON CYCLE TURBINE HALL MEDICAL, INDUSTRIAL ISOTOPE FACILITY	
NOVEMBER-09-2009	3-02-07	